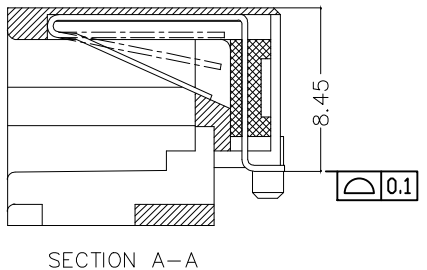
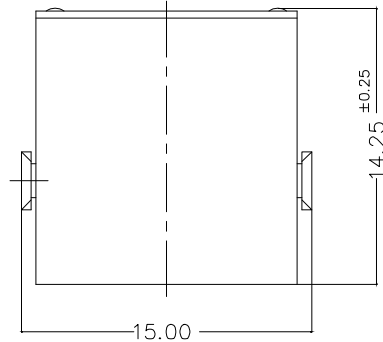


4	4	3	2	1
CATEGORY	DESCRIPTION	P/N #		
CONNECTOR	RJ45 8P8C 全塑	MJ88-BX11-JRN2		

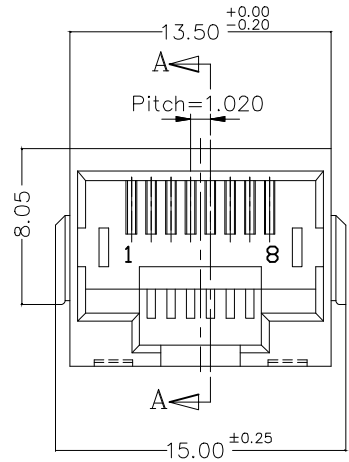
REV.	ECN NO	DESCRIPTION	REVISED	DATE
A01		New Release	XSY	2016.08.04

SPECIFICATION

- VOLTAGE RATING: 125 VAC RMS.
- CURRENT RATING: 1.5 AMP
- CONTACT RESISTANCE: 40 mΩ MAX
- INSULATION RESISTANCE: 500MΩ MIN.
- WITHSTAND VOLTAGE: AC1000V RMS 60s.
- OPERATING TEMPERATURE: -40°C~+80°C

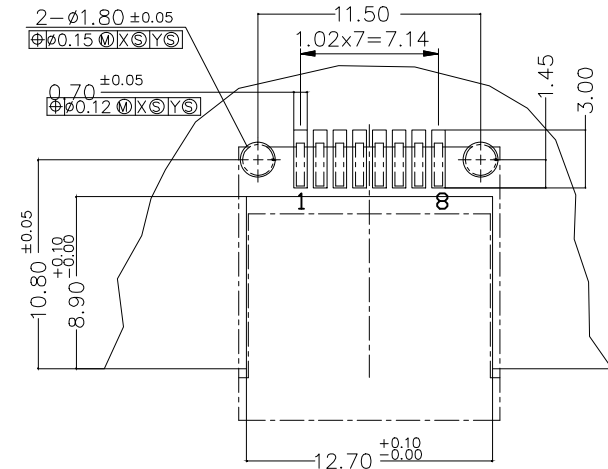
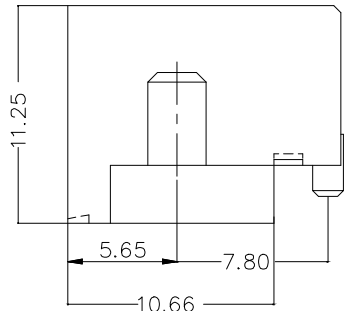


SECTION A-A



MJ88-BX11-JRN2

X	Terminal Plating
0	Au 1u" Plating
1	Au 3u" Plating
2	Au 6u" Plating
3	Au 15u" Plating



RECOMMENDED P.C.B LAYOUT
TOP VIEW (COMPONENT SIDE)

b	TERMINAL	8	PHOSPHOR BRONZE	Au/TIN Plating	
a	HOUSING	1	HIGH TEMP.THERMOPLASTIC UL94V-0	BLACK	
NO.	PART NAME	Q'TY	MATERIAL	PLATING & COLOR	Remark

UNLESS OTHERWISE SPECIFIED TOLERANCES

DECIMALS: X :±0.5, X.X :±0.3, X.XX :±0.2

ANGLES: X :±2°, X.X :±1°


東莞市合陵電子有限公司
DongGuan Heling Electronic Co.,LTD

SCALE:1/1	UNIT: mm	DWG.NO:
SIZE: A3	PAGE:1 OF 1	REV:A01
APPROVED BY	CHECKED BY	PREPARED BY
DICK	XSY	XSY
CUSTOMER COPY		